

12005B

Figure 8-1 . Frame and External Parts - Coil Chain Models.

Ref. No.	Part Number	Description	Quantity Required		
			1/4 Ton	1/2 Ton	1 Ton
1	BAH-105	Bolt - Suspension Bracket	2	2	2
2	BAH-108	Lockwasher - Shakeproof, External	2	2	2
3	BAH-107	Nut - Hex, Cadmium Plated	2	2	2
t 4	BAH-106	Hook and Bracket Assembly - Suspension	1	1	-
t 5	BAH-145	Hook and Nut Assembly - Upper (Includes Ref. No. 6)	1	1	-
t 6	BAH-146	Latch Kit	1	1	-
7	BAH-147	Bushing - Machinery	1	1	-
8	BAH-148	Bracket - Suspension	1	1	-
9	BAH-149	Washer - Thrust, Bearing	2	2	-
10	BAH-150	Bearing Assembly - Needle	1	1	-
11	BAH-151	Shield - Bearing	1	1	-
12		Nut - Hook	1	1	-
13	BAH-152	Pin - Spring Drive	1	1	-
14	BAH-170	Screw - Hex Socket Head Cap	1	1	1
15	BAH-171	Washer - Flat	1	1	1
18	BAH-172	Cover - Brake Housing	1	1	1
19	BAH-113	Screw - Slotted Head	2	2	2
22	BAH-153	Shaft - Control	1	1	1
23	BAH-119	Bushing - Oilite, Control Shaft	3	3	3
t 24	BAH-115	**Chain - Load, Coil Type (11'-5" Lg.)	1	1	-
	BAH-116	"Chain - Load, Coil Type (22'-7" Lg.)	-	-	1
t 25	BAH-117	Lever - Control	1	1	1

(Continued On Next Page)

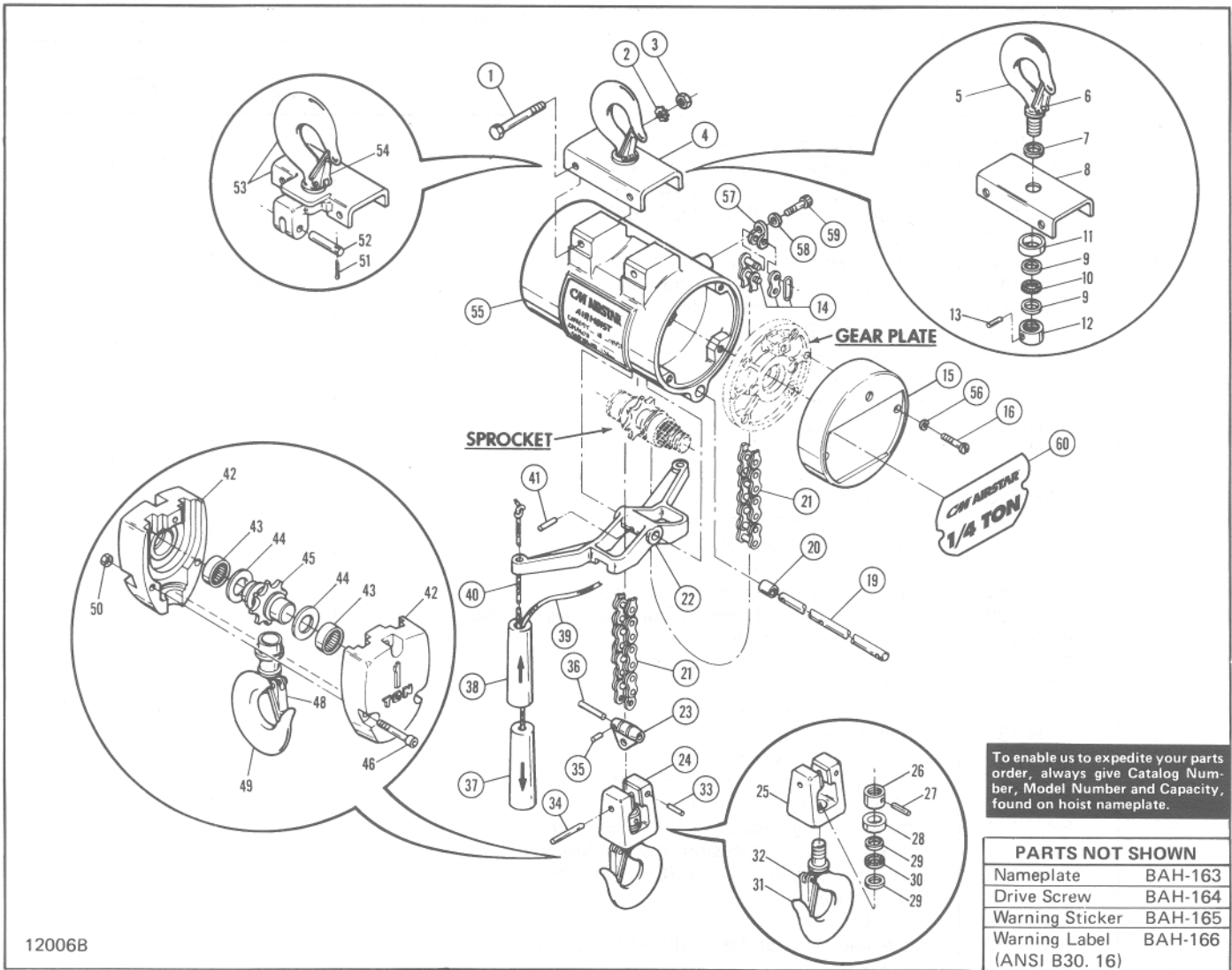


Figure 8-2. Frame and External Parts - Roller Chain Models.

Ref. No.	Part Number	Description	Quantity Required		
			1/4 Ton	1/2 Ton	1 Ton
1	BAH-105	Bolt - Suspension Bracket	2	2	2
2	BAH-108	Lockwasher - Shakeproof, External	2	2	2
3	BAH-107	Nut - Hex, Cadmium Plated	2	2	2
4	BAH-106	Hook and Bracket Assembly - Suspension	1	1	1
5	BAH-145	Hook and Nut Assembly - Upper (Includes Ref. No. 6)	1	1	1
6	BAH-146	Latch Kit	1	1	1
7	BAH-147	Bushing - Machinery	1	1	-
8	BAH-148	Bracket - Suspension	1	1	1
9	BAH-149	Washer - Thrust, Bearing	2	2	1
10	BAH-150	Bearing Assembly - Needle	1	1	-
11	BAH-151	Shield - Bearing	1	1	-
12		Nut - Hook	1	1	1
13	BAH-152	Pin - Spring Drive	1	1	1
14	BAH-201	Link Assembly - Roller Chain (For Connecting Tail End of Chain Only. Must Not Be Used to Join Chain.)	1	1	1
15	BAH-172	Cover - Brake Housing	1	1	1
16	BAH-113	Screw - Slotted Head	2	2	2
19	BAH-153	Shaft - Control	1	1	1
20	BAH-119	Bushing - Oilite, Control Shaft	3	3	3
21	BAH-203	"Chain - Load, Roller Type (11'-1/2" Lg.)	1	1	-
	BAH-204	"Chain - Load, Roller Type (22'-1" Lg.)	-	-	1
22	BAH-1 17	Lever - Control	1	1	1

(Continued On Next Page)

Figure 8-2. Frame and External Parts - Roller Chain Models (Cont'd.).

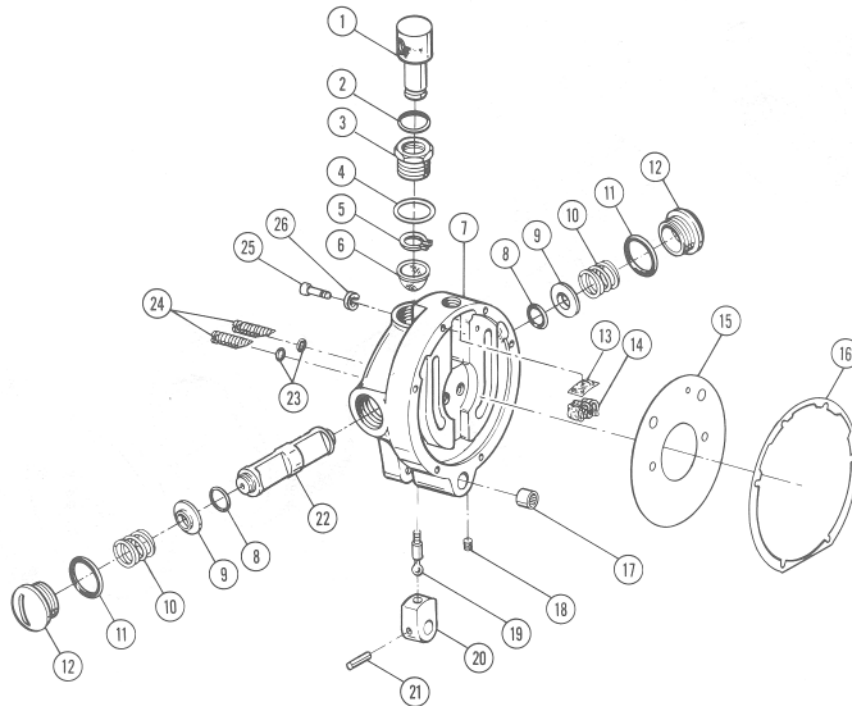
Ref. No.	Part Number	Description	Quantity Required		
			1/4 Ton	1/2 Ton	1 Ton
23	BAH-215	Adapter - Roller Load Chain	1	1	-
	BAH-216	Block Assembly - Lower, Complete (Includes Ref. Nos. 23, 24, 33, 34, 35 & 36)	1	-	-
	BAH-217	Block Assembly - Lower, Complete (Includes Ref. Nos. 23, 24, 33, 34, 35 & 36)	-	1	-
24	BAH-154	Block Assembly,- Lower (Includes Ref. Nos. 25 thru 32)	1	-	-
	BAH-155	Block Assembly - Lower (Includes Ref. Nos. 25 thru 32)	-	1	-
25	BAH-156	Body - Lower Block (1/4 Ton)	1	-	-
	BAH-157	Body - Lower Block (1/2 Ton)	-	1	-
	*				
26		Nut - Hook	1	1	-
27	BAH-152	Pin - Spring Drive	1	1	-
28	BAH-151	Shield - Bearing	1	1	-
29	BAH-149	Washer - Thrust, Bearing	2	2	-
30	BAH-150	Bearing Assembly - Needle	1	1	-
31	BAH-160	Hook and Nut Assembly (With Latch)	1	1	-
32	BAH-158	Latch Kit	1	1	-
33	BAH-121	Pin - Spring Drive	1	1	-
34	BAH-122	Pin - Connecting, Lower Block	1	1	-
35	BAH-218	Pin - Spring Drive	1	1	-
36	BAH-219	Pin - Connecting, Roller Chain Adapter	1	1	-
	BAH-124	Cord Assembly - Control (Includes Ref. Nos. 37 thru 40)	1	1	1
37	BAH-125	Handle - Down Control	1	1	1
38	BAH-126	Handle - Up Control	1	1	1
39	BAH-128	Cord - Down Control	1	1	1
40	BAH-127	Cord - Up Control	1	1	1
	BAH-129	Clip - Cord, 1 /4" (Not Shown)	1	1	1
41	BAH-161	Pin -Spring Drive, Control Lever	1	1	1
	BAH-207	Block Assembly-Lower (1 Ton, Includes Ref. Nos. 42 thru 50)	-	-	1
42	BAH-220	Body - Lower Block (Pair)	-	-	1
43	BAH-135	Bearing Assembly - Needle	-	-	2
44	BAH-136	Washer	-	-	2
45	BAH-211	Sprocket - Roller Chain	-	-	1
46	BAH-131	Screw - Socket Head Cap	-	-	3
48	BAH-146	Latch Kit	-	-	1
49	BAH-133	Hook, Bearing and Nut Assembly (With Latch)	-	-	1
50	BAH-134	Nut - Hex, Self-Locking	-	-	3
51	BAH-138	Pin - Cotter	-	-	2
52	BAH-213	Pin - Chain Anchor	-	-	1
53	BAH-212	Hook and Bracket Assembly (With Latch)	-	-	1
54	BAH-146	Latch Kit	-	-	1
55	BAH-101	Frame Assembly (Includes Ref. No. 20)	1	1	1
56	BAH-162	Lockwasher - Spring	2	2	2
57	BAH-222	Dead End - Roller Chain Link	1	1	1
58	BAH-171	Washer - Flat	1	1	1
59	BAH-170	Screw - Hex Socket Head Cap	1	1	1
60		Label - Rated Load			
	BAH-173	1/4 Ton	1	-	-
	BAH-174	1/2 Ton	-	1	-
	BAH-175	1 Ton	-	-	1

*Hook nut is drilled in place on hook shank and is not available separately.

**Load chain lengths listed are for standard 10 foot lifts. Longer chains are available on order.

NOTES

To enable us to expedite your parts order, always give Catalog Number, Model Number and Capacity, found on hoist nameplate.

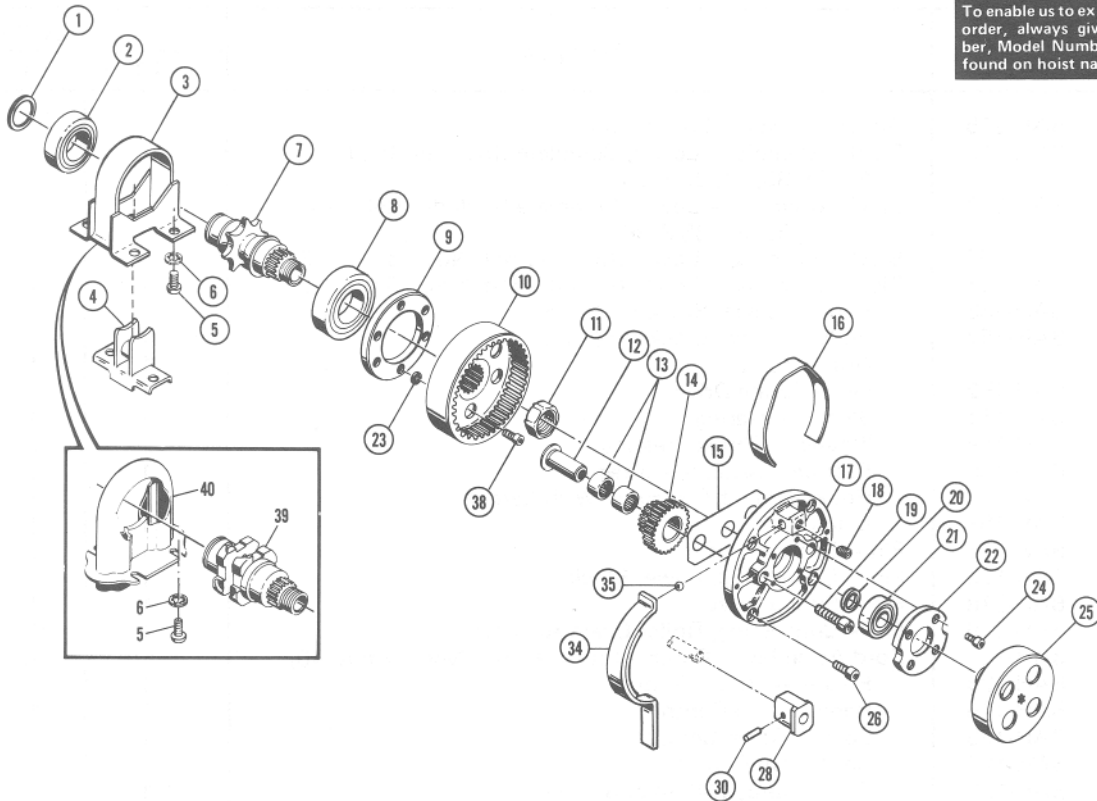


12008

Figure 8-4. Throttle Control Head Parts - All Models.

Ref. No.	Part Number	Description	Qty. Req'd.
	1BAH-1101	Body - Swivel, Inlet (3/8" - 18 N.P.T.)	1
	2BAH-1102	Seal - "O" Ring, Inlet Swivel	1
	3BAH-1103	Bushing - Inlet Swivel	1
	4BAH-1104	Gasket - Inlet Swivel Bushing (Brass)	1
	5BAH-1105	Ring - Retaining, External	1
	6BAH-1106	Screen - Inlet Swivel	1
	7BAH-1126	Housing Assembly - Control Head (Includes Ref. No. 22 & Throttle Valve Bushing (Not Shown)	1
	8BAH-1108	Seal - "O" Ring, Throttle Valve	2
	9BAH-1109	Guide - Spring, Throttle Valve	2
	10BAH-1 110	Spring - Throttle Valve	2
	11BAH-1111	Gasket - "O" Ring, Valve Spring Retainer	2
	12BAH-1 112	Retainer - Spring, Throttle Valve	2
	13BAH-1113	Screen - Muffler	1
	14BAH-1114	Muffler - Exhaust	1
	15BAH-812	Gasket - Air Seal, Motor End Plate	1
	16BAH-813	Gasket - Control Head to Frame	1
	17BAH-1115	Bearing Assembly - Needle, Control Shaft	1
	18BAH-1116	Plug - Pipe, 1/8" N. P. T.	1
	19BAH-1117	Pin - Valve Shifter	1
	20BAH-1118	Shifter - Throttle Valve	1
	21BAH-161	Pin - Spring Drive	1
	22BAH-1125	Valve - Throttle	1
	23BAH-1120	Gasket - "O" Ring, Adjusting Screw	2
	24BAH-1 121	Screw - Adjusting, Speed	2
25 .	BAH-1122	Screw - Hex Socket Cap	6
	26BAH-1 123	Lockwasher - Spring	6

To enable us to expedite your parts order, always give Catalog Number, Model Number and Capacity, found on hoist nameplate.



12007B

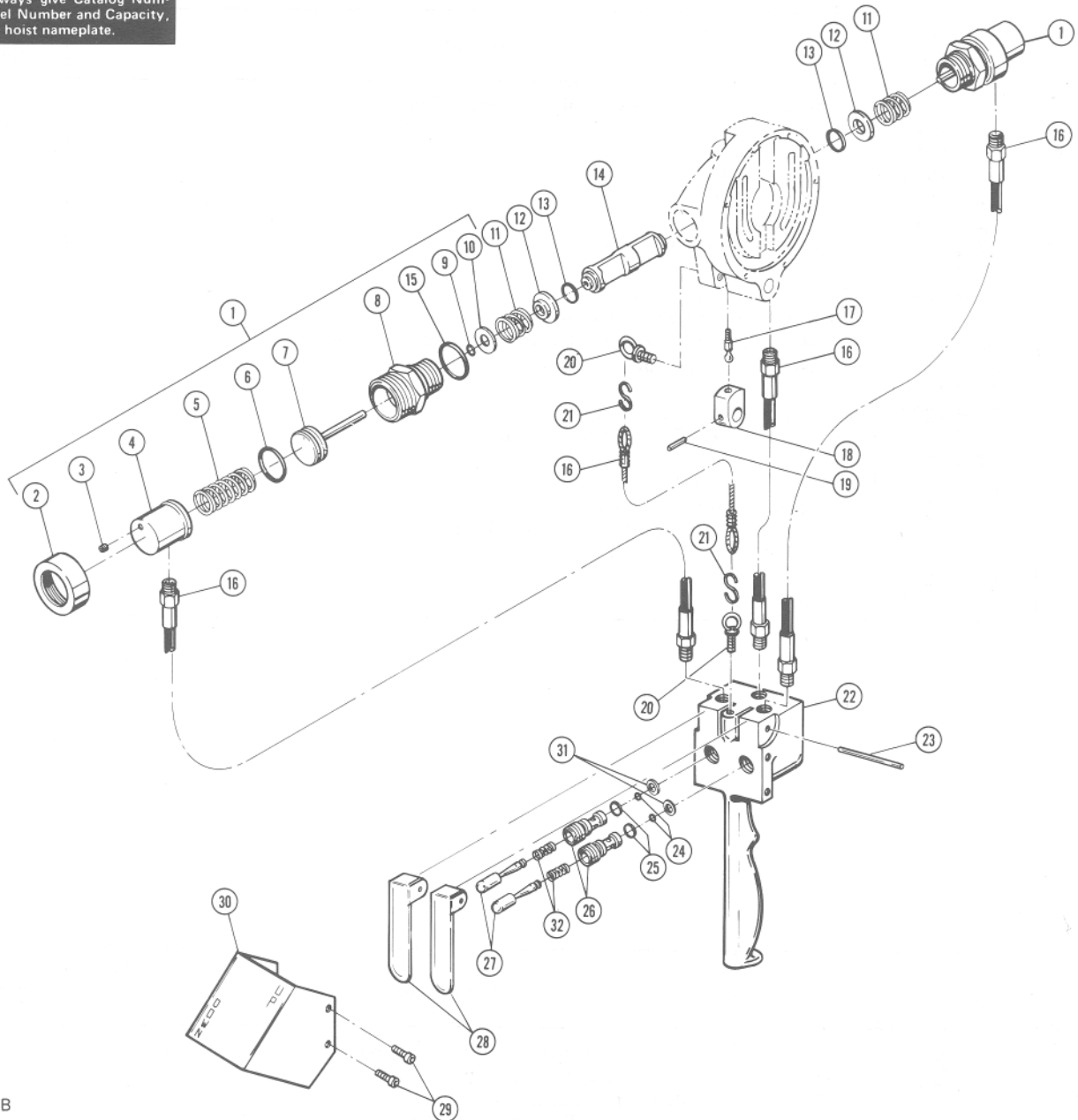
Figure 8-3. Gearing, Sprocket and Load Brake Parts – All Models.

Ref. No.	Part Number	Description	Qty. Req'd.
1	BAH-301	Ring - Retaining, External	1
2	BAH-302	Bearing Assembly - Ball, Sprocket	1
3	BAH-303	Guide Assembly - Chain (Roller Type Only)	1
4	BAH-304	Stripper - Chain (Roller Type Only)	1
5	BAH-305	Screw - Button Head	*6
6	BAH-306	Lockwasher - Shakeproof, Internal	*6
7	BAH-307	Sprocket - Chain (Roller Type Only)	1
8	BAH-308	Bearing Assembly - Ball, Sprocket	1
9	BAH-309	Plate - Clamp, Bearing	1
10	BAH-312	Gear - Internal	1
11	BAH-313	Nut - Spindle	1
12	BAH-314	Shaft - Intermediate Gear	2
13	BAH-315	Bearing Assembly - Needle	4
14	BAH-316	Gear - Intermediate	2
15	BAH-350	Thrust Plate	1
16	BAH-355	Spring - Brake Shoe	1
17	BAH-351	Plate - Gear	1
18	BAH-352	Screw	1
19	BAH-318	Screw - Socket Head (Self-Locking)	2
20	BAH-325	Ring - Retaining, External	1
21	BAH-326	Bearing Assembly - Ball, Brake Wheel	1
22	BAH-327	Plate - Clamp, Brake Wheel Bearing	1
23	BAH-311	Lockwasher - Shakeproof, Internal	6
24	BAH-360	Screw - Socket Head	4
25	BAH-328	Wheel - Load Brake	1
26	BAH-345	Screw - Socket Head (Self-Locking)	4
28	BAH-353	Cam - Brake Actuator	1
30	BAH-338	Pin - Spring Drive, Brake Cam	1
34	BAH-354	Shoe Assembly - Brake	2
35	BAH-321	Ball - Steel, Brake Fulcrum	2
38	BAH-347	Screw - Socket Head	6
t39	BAH-339	Sprocket - Chain (Coil Type Only)	1
t40	BAH-340	Guide and Stripper Assembly - Chain (Coil Type Only)	1

t See Special Parts Table (Figure 8-7) for Spark Resistant Models.

* Quantities shown are for roller chain models. Coil chain models require four (4) each.

To enable us to expedite your parts order, always give Catalog Number, Model Number and Capacity, found on hoist nameplate.



12010B

Figure 8-6. Control Cylinder and Pendant Throttle Control Parts.

Ref. No.	Part Number	Description	Qty. Req'd.
1	BAH-1201	Cylinder Assembly - Control, Pendant (Includes Ref. Nos. 2 thru 10 and 15)	2
2	BAH-1202	Ring - Lock, Cylinder	1
3	BAH-1203	Screw - Set, Hex Socket	1
4	BAH-1204	Cap - End, Cylinder	1
5	BAH-1205	Spring - Piston, Cylinder	1
6	BAH-1206	Seal - "U" Ring, Piston	1
7	BAH-1207	Piston - Control Cylinder	1
8	BAH-1208	Cylinder - Pendant Control	1
9	BAH-1209	Seal - "O" Ring, Piston Stem	1
10	BAH-1210	Retainer - "O" Ring Seal	1
11	BAH-1110	Spring - Throttle Valve	2
12	BAH-1 109	Guide - Spring, Throttle Valve	2
13	BAH-1108	Seal - "O" Ring, Throttle Valve	2
14	BAH-1 125	Valve - Throttle	1
15	BAH-1111	Gasket - "O" Ring, Control Cylinder	2

(Continued On Next Page)

Figure 8-6. Control Cylinder and Pendant Throttle Control Parts (Cont'd.).

Ref. No.	Part Number	Description	Qty. Req'd.
16		Hose and Strain Cable Assembly - Pendant Throttle	
	BAH-1211	For 10' Lift	1
	BAH-1212	For 12' Lift	1
	BAH-1213	For 15' Lift	1
	BAH-1214	For 20' Lift	1
17	BAH-1117	Pin - Valve Shifter	1
18	BAH-1118	Shifter - Throttle Valve	1
19	BAH-161	Pin - Spring Drive	1
20	BAH-1231	Eye Bolt - Strain Cable	2
21	BAH-1232	"S" Hook - Wire, Strain Cable	2
	BAH-1217	Handle Assembly - Pendant Throttle Control (Includes Ref. Nos. 22 thru 32)	1
22	BAH-1218	Case - Control Handle	1
23	BAH-1219	Pin - Lever	1
24	BAH-1220	Gasket - "0" Ring, Valve	2
25	BAH-1221	Gasket - "0" Ring, Valve Bushing	2
26	BAH-1222	Bushing - Throttle Valve	2
27	BAH-1223	Valve - Throttle Control	2
28	BAH-1224	Lever - Throttle Control	2
29	BAH-1225	Screw - Machine, Round Slotted Head	4
30	BAH-1226	Guard - Control Lever	1
31	BAH-1227	Gasket	2
32	BAH-1230	Spring	2

Figure Number	Ref. Number	Part Number	Description	Quantity Required	
				3/8 Ton	3/4 Ton
8-1	4	BAH-1303	Hook and Bracket Assembly - Upper	1	-
8-1	5	BAH-1304	Hook, Nut and Latch Assembly - Upper	1	-
8-1	6	BAH-1305	Latch Kit - Upper Hook	1	-
8-1	24	BAH-1308	Chain - Coil Type, Load (11'-5" Lg.)	1	-
	24	BAH-1309	Chain - Coil Type, Load (22'-7" Lg.)	-	1
8-1	25	BAH-1310	Lever - Control	1	1
8-1	26	BAH-1315	Block Assembly - Lower, Complete	1	-
8-1	27	BAH-1318	Body - Lower Block	1	-
8-1	28	BAH-1320	Latch Kit - Lower Hook	1	-
8-1	29	BAH-1319	Hook, Nut and Latch Assembly - Lower	1	-
8-1	36	BAH-1312	Pin - Connecting, Lower Block	1	-
8-1		BAH-1322	Block Assembly - Lower, Coil Chain	-	1
8-1	42	BAH-1326	Body - Lower Block	-	1 Pair
8-1	44	BAH-1330	Washer	-	2
8-1	45	BAH-1332	Sprocket - Coil Chain, Lower Block	-	1
8-1	46	BAH-1324	Screw - Socket Head	-	3
8-1	47	BAH-1328	Latch Kit - Lower Hook	-	1
8-1	48	BAH-1327	Hook, Nut and Latch Assembly - Lower	-	1
8-1	55	BAH-1333	Hook and Bracket Assembly - Upper (Includes Latch)	-	1
8-1	56	BAH-1334	Latch Kit - Upper Hook	-	1
8-1	59	BAH-1340	Label - Rated Load	1	-
8-1	59	BAH-1341	Label - Rated Load	-	1
8-3	39	BAH-1335	Sprocket - Coil Chain	1	1
8-3	40	BAH-1336	Guide and Stripper Assembly - Coil Chain	1	1

Figure 8-7. Special Parts Table - Spark Resistant Models.