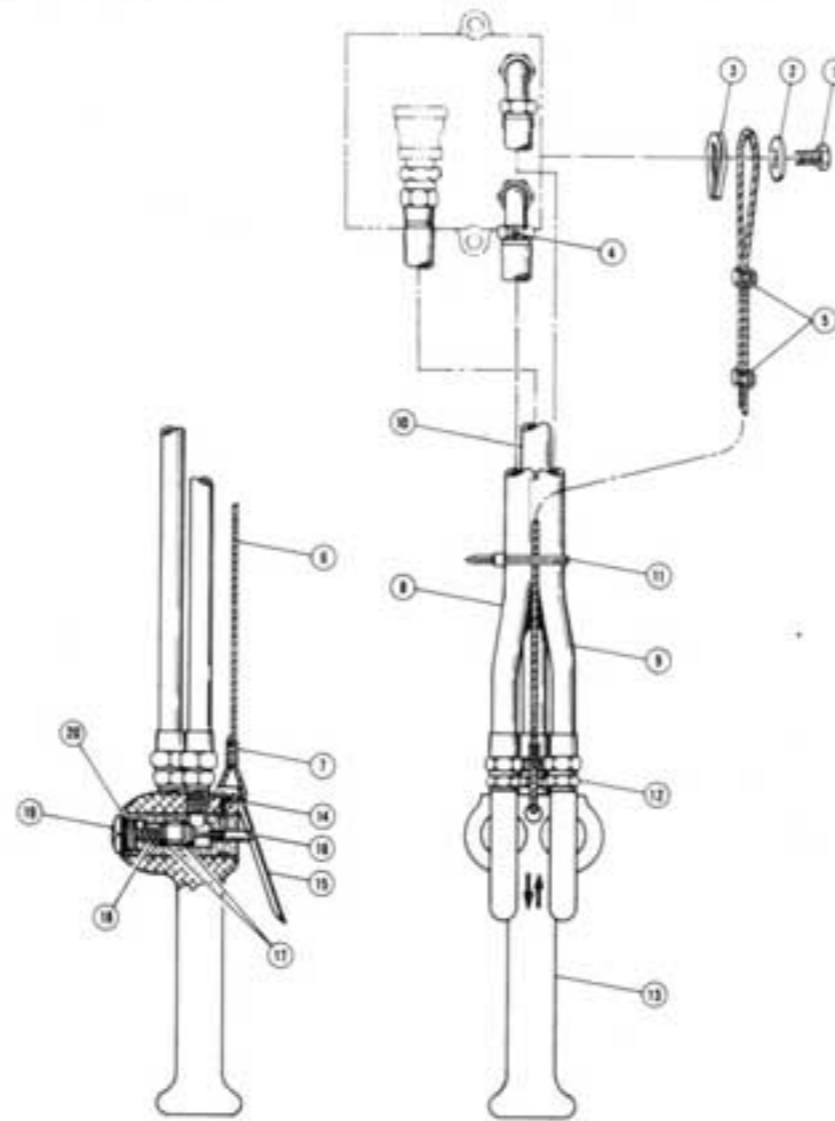


Figure 8-10. SPECIAL PARTS TABLE — CORROSION RESISTANT AND SPARK RESISTANT MODELS.

| Fig. No. | Ref. No. | Part Number | Description | Corrosion Resistant | | | Spark Resistant | | | |
|----------|----------|-------------|--|--------------------------------|-------|-------|-----------------|-------|-------|---|
| | | | | 1 Ton | 2 Ton | 3 Ton | ½ Ton | 1 Ton | 2 Ton | |
| 8-1 | 1 | BAH-5400 | Hook Assembly-Upper with Latch | — | — | — | 1 | — | — | |
| | 11 | BAH-5401 | Cover — Counterweighted | — | — | — | 1 | — | — | |
| | | BAH-5402 | Cover — Counterweighted | — | — | — | — | 1 | — | |
| | | BAH-5403 | Cover — Counterweighted | — | — | — | — | — | 1 | |
| | 24 | BAH-5430 | Guide Assem. — Coil Load Chain | — | — | — | 1 | 1 | 1 | |
| | 25 | BAH-5404 | Chain Assembly — Coil, Load | 1 | — | — | — | — | — | |
| | | BAH-5405 | Chain Assembly — Coil, Load | — | — | — | 1 | — | — | |
| | 30 | BAH-5406 | Block Assembly — Lower | — | — | — | 1 | — | — | |
| | 32 | BAH-5407 | Body — Lower Block | — | — | — | 1 | — | — | |
| | 33 | BAH-5408 | Hook, Nut and Latch Assembly — Lower Block | — | — | — | 1 | — | — | |
| | 34 | BAH-5409 | Latch Kit — Hook, Lower | — | — | — | 1 | — | — | |
| | 51 | BAH-5410 | Latch Kit — Hook, Upper | — | — | — | 1 | — | — | |
| | 8-2 | 2 | BAH-5411 | Hook Assembly-Upper with Latch | — | — | — | — | 1 | — |
| | | 18 | BAH-5412 | Chain Assembly — Coil, Load | — | 1 | — | — | — | — |
| | | BAH-5413 | Chain Assembly — Coil, Load | — | — | — | — | 1 | — | |
| 20 | | BAH-5414 | Latch Kit — Hook, Upper | — | — | — | — | 1 | — | |
| 8-3 | 5 | BAH-5415 | Hook Assembly-Upper with Latch | — | — | — | — | — | 1 | |
| | 18 | BAH-5417 | Chain Assembly — Coil, Load | — | — | 1 | — | — | — | |
| | | BAH-5418 | Chain Assembly — Coil, Load | — | — | — | — | — | 1 | |
| 8-4 | 11 | BAH-5429* | Gear & Clutch Assembly — Load Brake | — | — | — | 1 | 1 | 1 | |
| | 35 | BAH-5419 | Sprocket — Coil Chain | — | — | — | 1 | 1 | 1 | |
| 8-5 | — | BAH-5420 | Block Assembly-Lower Complete | — | — | — | — | 1 | — | |
| | — | BAH-5421 | Block Assembly-Lower Complete | — | — | — | — | — | 1 | |
| | 10 | BAH-5422 | Body Assembly — Lower Block | — | — | — | — | — | 1 | |
| | 11 | BAH-5423 | Hook/Latch & Nut | — | — | — | — | — | 1 | |
| | 12 | BAH-5424 | Latch Kit — Hook, Lower | — | — | — | — | 1 | — | |
| | 16 | BAH-5426 | Hook/Latch & Nut | — | — | — | — | 1 | — | |
| | 21 | BAH-5427 | Body Assembly — Lower Block | — | — | — | — | 1 | — | |
| 8-6 | 1 | BAH-5428 | Limit Stop | — | — | — | 1 | 1 | 1 | |

* This gear and clutch assembly should not be field disassembled. Replace assembly only as clutch pressure is preset at factory based on hoist capacity.

To enable us to expedite your parts order, always give Model and Catalog Numbers of Hoist. (See nameplate.)

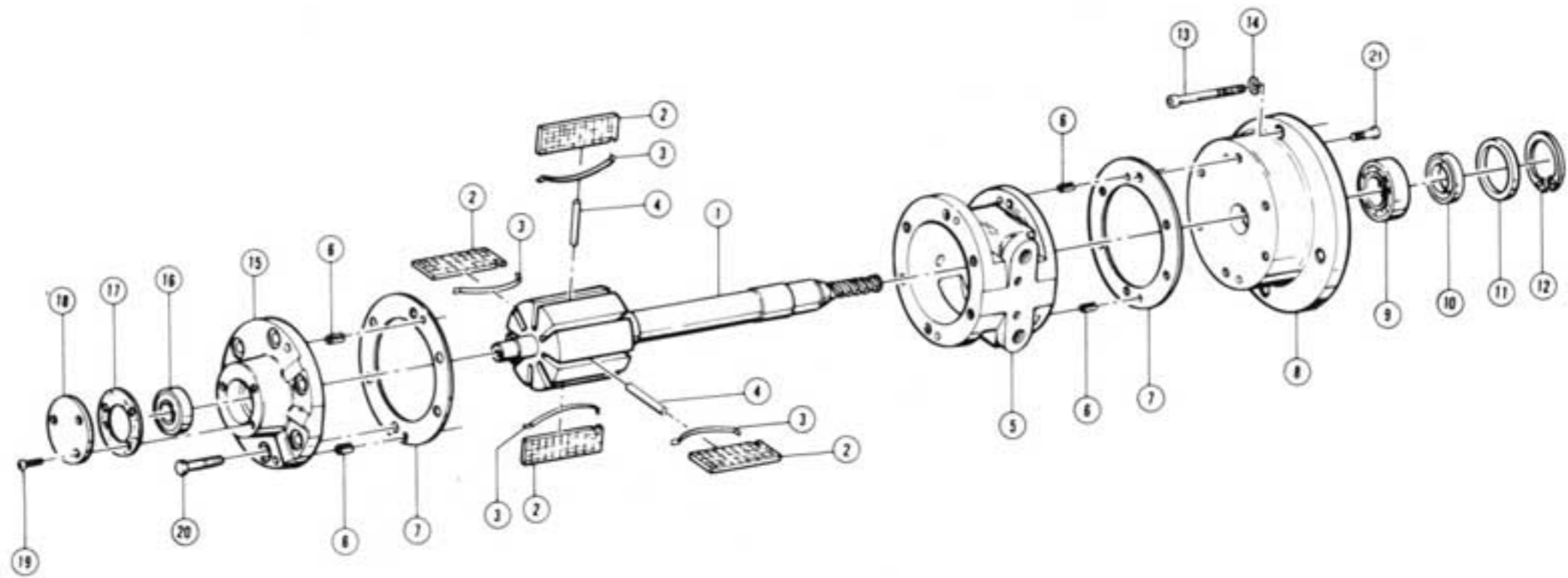


12443

Figure 8-9. PENDANT THROTTLE CONTROL PARTS.

| Ref. No. | Part Number | Description | Qty. Req'd. |
|----------|-------------|--|-------------|
| 1 | BAH-5300 | Cap Screw — Hex Head | 1 |
| 2 | BAH-5301 | Washer | 1 |
| 3 | BAH-5302 | Thimble — Wire Rope | 1 |
| 4 | BAH-5303 | Set Screw | 1 |
| 5 | BAH-5304 | Clip — Wire Rope | 2 |
| 6 | BAH-5305 | Cable — Strain Relief (Specify Length Required) 7 ft. for 10 ft. Lift 12 ft. for 15 ft. Lift 17 ft. for 20 ft. Lift | 1 1 1 |
| 7 | BAH-5306 | Sleeve — Pressed | 1 |
| 8 | BAH-5307 | Hose Assembly — Down For 10 ft. Lift | 1 |
| | BAH-5308 | For 15 ft. Lift | 1 |
| | BAH-5309 | For 20 ft. Lift | 1 |
| 9 | BAH-5310 | Hose Assembly — Up For 10 ft. Lift | 1 |
| | BAH-5311 | For 15 ft. Lift | 1 |
| | BAH-5312 | For 20 ft. Lift | 1 |
| 10 | BAH-5313 | Hose Assembly — Supply For 10 ft. Lift | 1 |
| | BAH-5314 | For 15 ft. Lift | 1 |
| | BAH-5315 | For 20 ft. Lift | 1 |
| 11 | BAH-5316 | Tie — Cable | 2 |
| 12 | BAH-5317 | Adaptor Fitting | 3 |
| 13 | BAH-5318 | Pendant Throttle Handle Assembly — Complete (Includes Ref. Nos. 14 through 20 plus handle) | 1 |
| 14 | BAH-5319 | Pin — Throttle Lever | 1 |
| 15 | BAH-5320 | Throttle Lever | 2 |
| 16 | BAH-5321 | Valve — Throttle | 2 |
| 17 | BAH-5322 | Ring — Throttle Valve Seal | 4 |
| 18 | BAH-5323 | Spring — Throttle Valve | 2 |
| 19 | BAH-5324 | Cap — Throttle Valve | 2 |
| 20 | BAH-5325 | Seal — Throttle Valve Cap | 2 |

To enable us to expedite your parts order, always give Model and Catalog Numbers of Hoist. (See nameplate.)

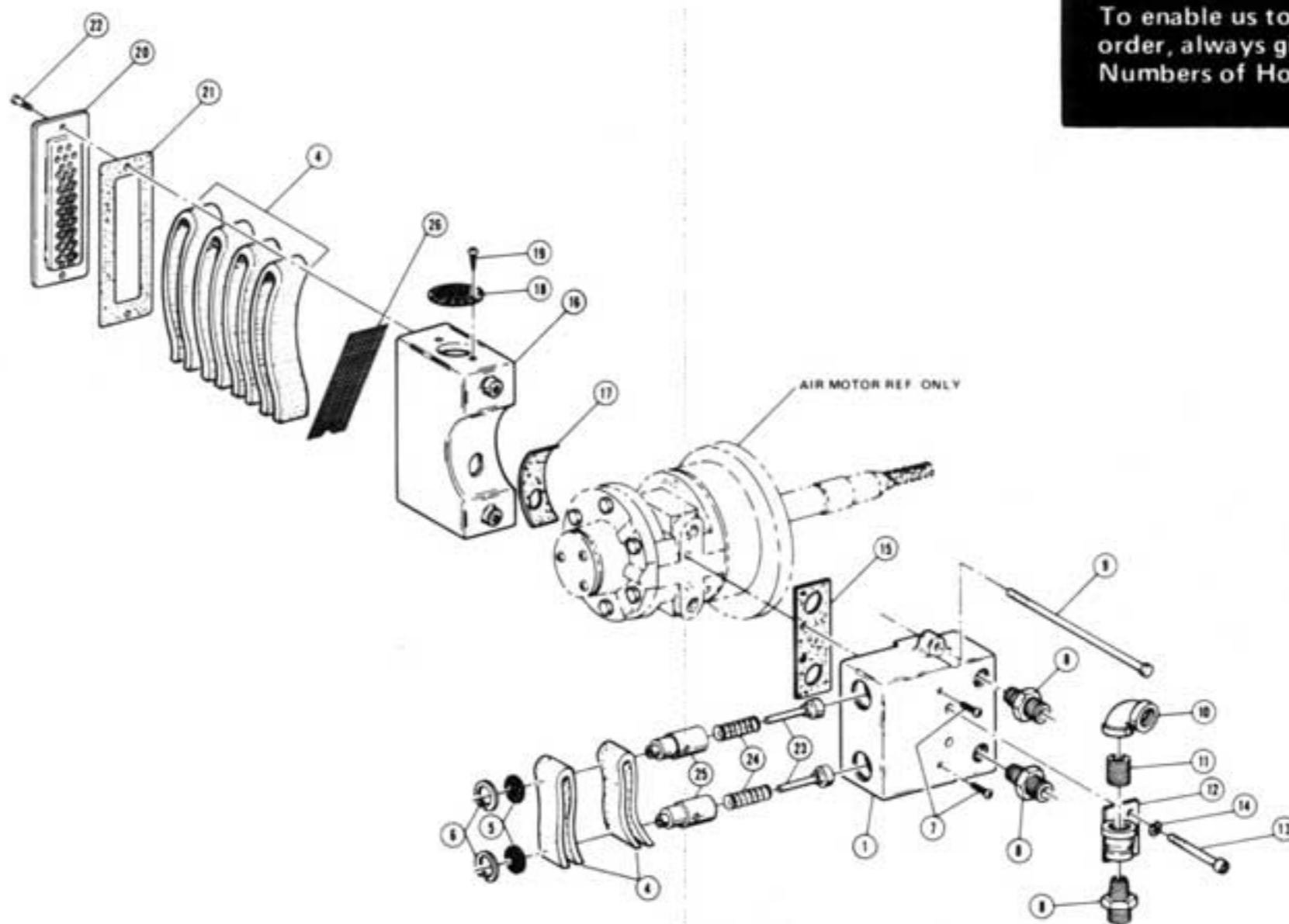


12442A

Figure 8-8. AIR MOTOR PARTS.

| Ref. No. | Part Number | Description | Qty. Req'd. |
|----------|-------------|-----------------------------------|-------------|
| | BAH-5200 | Air Motor Assembly | 1 |
| 1 | BAH-5201 | Rotor and Shaft Assembly | 1 |
| 2 | BAH-5202 | Vane | 8 |
| 3 | BAH-5203 | Spring — Vane | 8 |
| 4 | BAH-5204 | Push Pin | 4 |
| 5 | BAH-5205 | Body — Air Motor | 1 |
| 6 | BAH-5206 | Pin — Dowel | 4 |
| 7 | BAH-5207 | Gasket — Body | 2 |
| 8 | BAH-5208 | End Plate — Drive End | 1 |
| 9 | BAH-5209 | Bearing — Drive End | 1 |
| 10 | BAH-5210 | Shaft Seal | 1 |
| 11 | BAH-5211 | Seal Adaptor | 1 |
| 12 | BAH-5212 | Ring — Retaining | 1 |
| 13 | BAH-5213 | Cap Screw — Hex Socket | 4 |
| 14 | BAH-5214 | Lockwasher — Spring Type | 4 |
| 15 | BAH-5215 | End Plate — Dead End | 1 |
| 16 | BAH-5216 | Bearing — Dead End | 1 |
| 17 | BAH-5217 | Gasket — End Cap | 1 |
| 18 | BAH-5218 | End Cap — Dead End | 1 |
| | BAH-5219 | End Plate Puller Tool (Not Shown) | — |
| 19 | BAH-5220 | Screw | 3 |
| 20 | BAH-5221 | Screw | 6 |
| 21 | BAH-5222 | Screw | 6 |

To enable us to expedite your parts order, always give Model and Catalog Numbers of Hoist. (See nameplate.)



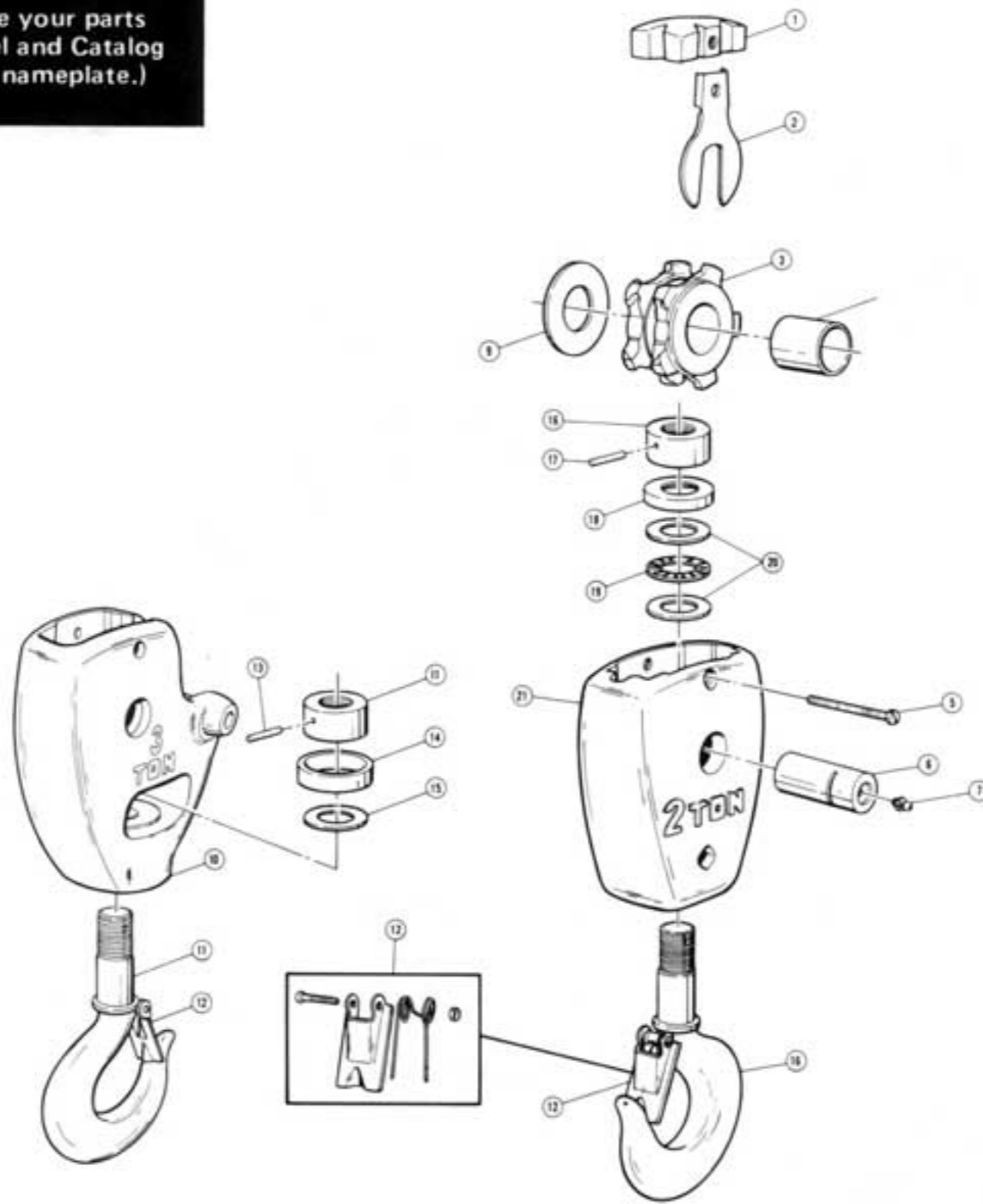
12441A

Figure 8-7. SUPPLY HEAD AND MUFFLER PARTS.

| Ref. No. | Part Number | Description | Qty. Req'd. |
|----------|-------------|---------------------------|-------------|
| 1 | BAH-5100 | Supply Head | 1 |
| 2* | BAH-5101 | Valve Support | 2 |
| 3* | BAH-5102 | Valve Guide Assembly | 2 |
| 4 | BAH-5103 | Muffling Material | 6 |
| 5 | BAH-5104 | Screen — Exhaust Valve | 2 |
| 6 | BAH-5105 | Ring — Internal Retaining | 2 |
| 7 | BAH-5106 | Screw — Self Tapping | 2 |
| 8 | BAH-5107 | Adaptor Fitting | 3 |
| 9 | BAH-5108 | Cap Screw — Hex Head | 2 |
| 10 | BAH-5109 | Elbow — Reducing | 1 |
| 11 | BAH-5110 | Nipple — Close Pipe | 1 |
| 12 | BAH-5111 | Coupling Assembly | 1 |
| 13 | BAH-5112 | Cap Screw — Hex Socket | 2 |
| 14 | BAH-5113 | Lockwasher — Spring Type | 2 |
| 15 | BAH-5114 | Gasket — Supply Head | 1 |
| 16 | BAH-5115 | Muffler Body | 1 |
| 17 | BAH-5116 | Gasket — Muffler | 1 |
| 18 | BAH-5117 | Screen — Muffler | 1 |
| 19 | BAH-5118 | Screw — Drive | 2 |
| 20 | BAH-5119 | Muffler Cover | 1 |
| 21 | BAH-5120 | Gasket — Muffler Cover | 1 |
| 22 | BAH-5121 | Screw — Pan Head | 2 |
| 23* | BAH-5123 | Stem — Valve | 2 |
| 24* | BAH-5124 | Spring — Valve | 2 |
| 25* | BAH-5125 | Sleeve — Valve | 2 |
| 26 | BAH-5126 | Screen — Muffler | 1 |

* Reference Numbers 23, 24, and 25 replace Reference Numbers 2 and 3 used on earlier model hoists.

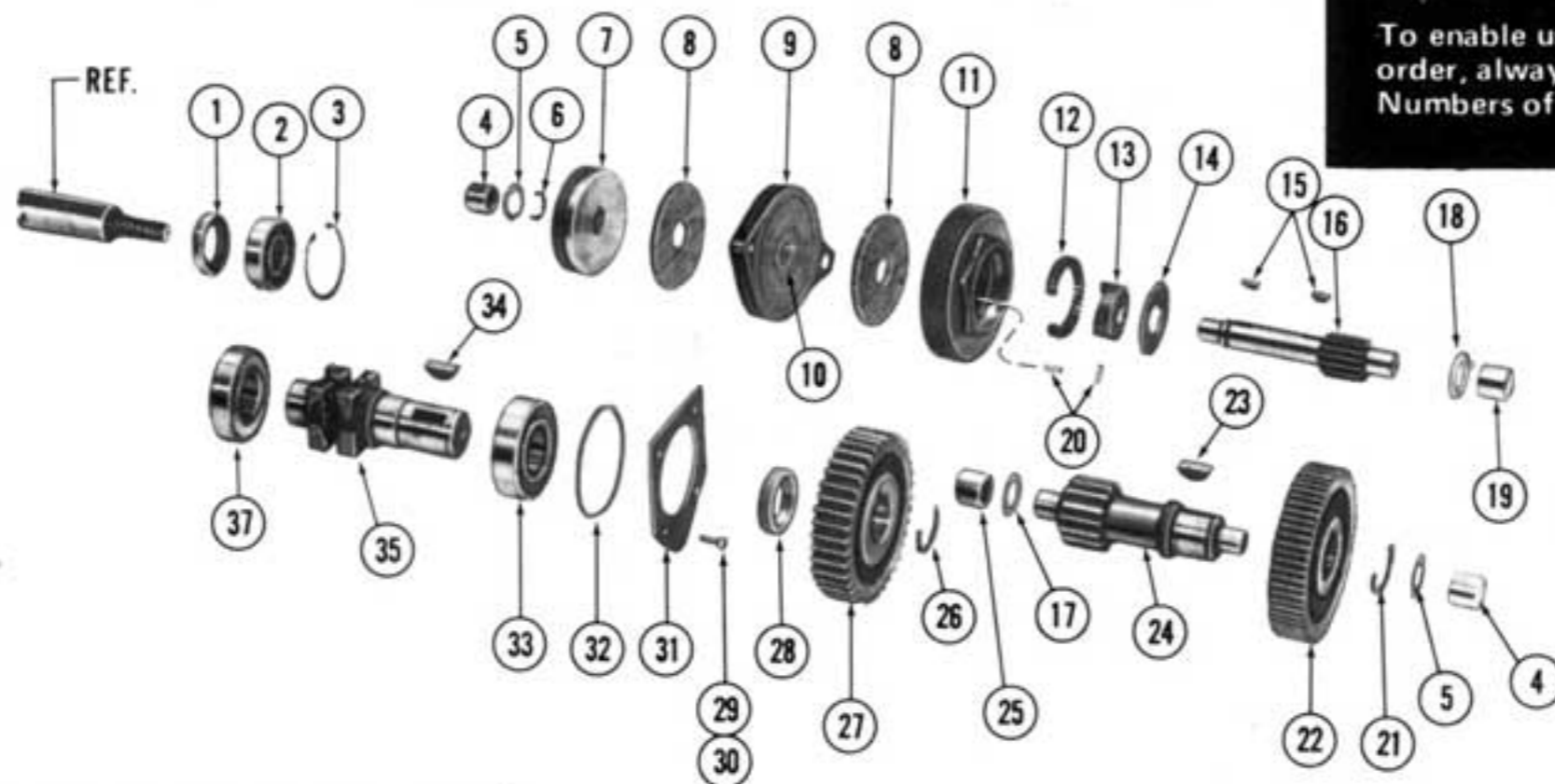
To enable us to expedite your parts order, always give Model and Catalog Numbers of Hoist. (See nameplate.)



12439

Figure 8-5. 2 & 3 TON LOWER BLOCK ASSEMBLIES.

| Ref. No. | Part Number | Description | Quantity Required | |
|----------|-------------|--|-------------------|-------|
| | | | 2 Ton | 3 Ton |
| | BH-2219 | Block Assembly — Lower Complete | 1 | — |
| | BH-2218 | Block Assembly — Lower Complete | — | 1 |
| 1 | BH-2202 | Guide — Center | 1 | 1 |
| 2 | BH-2203 | Lock — Sprocket Pin | 1 | 1 |
| 3 | BH-2204 | Sprocket — Coil Chain | 1 | 1 |
| 4 | BH-2205 | Bushing — Sprocket | 1 | 1 |
| 5 | BH-2206 | Screw — Fillister Head, Self locking | 1 | 1 |
| 6 | BH-2207 | Pin — Sprocket | 1 | 1 |
| 7 | BH-2208 | Fitting — Hydraulic Drive | 1 | 1 |
| 9 | BH-2210 | Washer, Thrust | 1 | 1 |
| 10 | BH-2211 | Body Assembly — Lower Block | — | 1 |
| 11 | BH-2212 | Hook /Latch & Nut (Includes Items 12, 13 & 15) | — | 1 |
| 12 | BH-2213 | Latch Kit, Hook | 1 | — |
| | BH-2214 | Latch Kit, Hook | — | 1 |
| 13 | BH-2215 | Pin, Grooved | — | 1 |
| 14 | BH-2216 | Shroud | — | 1 |
| 15 | BH-2217 | Washer, Thrust | — | 1 |
| 16 | BH-2220 | Hook/Latch & Nut (Includes Items 12 & 17) | 1 | — |
| 17 | BH-2221 | Pin, Grooved | 1 | — |
| 18 | BH-2222 | Shield, Bearing | 1 | — |
| 19 | BH-2223 | Bearing Assembly — Needle, Thrust | 1 | — |
| 20 | BH-2224 | Washer, Thrust | 2 | — |
| 21 | BH-2225 | Body — Lower Block | 1 | — |



11899A

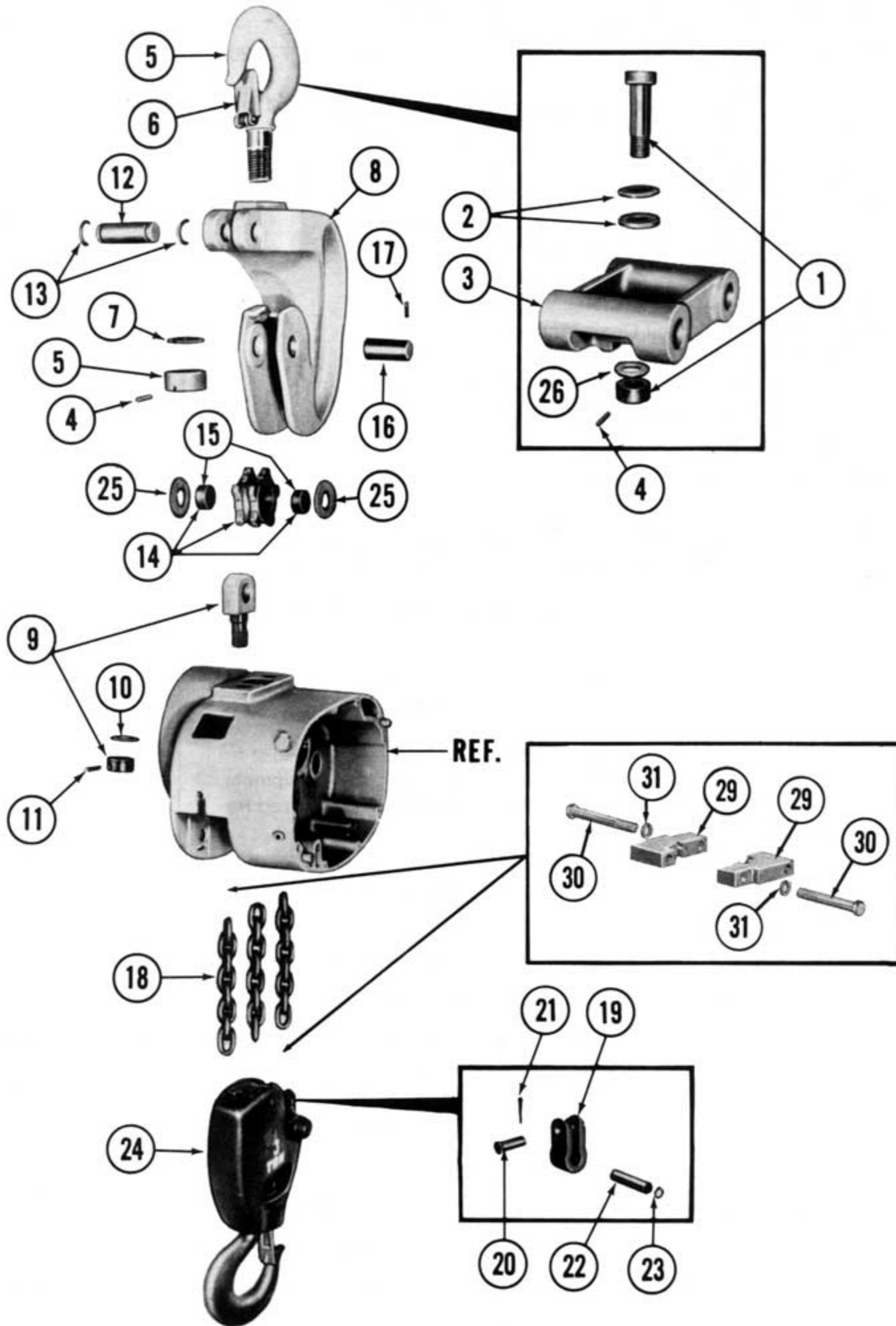
Figure 8-4. GEARING AND LOAD BRAKE PARTS.

| Ref. No. | Part Number | Description | Qty. Req'd. |
|----------|-------------|--|-------------|
| 1 | BH-1201 | Seal — Oil, Motor Shaft | 1 |
| 2 | BH-1202 | Bearing Assembly — Ball, Motor Shaft | 1 |
| 3 | BH-1203 | Ring — Retaining, Internal | 1 |
| 4 | BH-1220 | Bearing Assembly — Needle, 5/8" I.D. | 2 |
| 5 | BH-1221 | Washer — Thrust, 5/8" I.D. | 2 |
| 6 | BH-1222 | Ring — Snap, Brake Flange | 1 |
| 7 | BH-1219 | Flange — Load Brake | 1 |
| 8 | BH-1218 | Disc — Friction, Load Brake | 2 |
| 9 | BH-1223 | Pawl & Ratchet Assembly — Load Brake (Includes item 10) | 1 |
| 10 | BH-1238 | Bushing — Ratchet | 1 |
| 11 | | Gear & Clutch Assembly — Load Brake | 1 |
| | BH-1242* | Standard Speed Hoist | |
| | BAH-1245* | Reduced Speed Hoist | |
| 12 | BH-1212 | Spring — Load Brake (Plain — no color code) | 1 |
| 13 | BH-1216 | Cam — Load Brake | 1 |
| 14 | BH-1239 | Retainer — Spring, Load Brake | 1 |
| 15 | BH-1210 | Key — Woodruff | 2 |
| 16 | | Shaft & Integral Pinion — Load Brake | 1 |
| | BH-1207 | 14 Teeth | |
| | BH-1208 | 23 Teeth | |
| 17 | BH-1206 | Washer — Thrust, 11/16" I.D. | 1 |
| 18 | BH-1205 | Bearing — Thrust, Bronze | 1 |
| 19 | BH-1204 | Bearing Assembly — Needle, 11/16" I.D. | 1 |
| 20 | BH-1214 | Pin — Grooved | 2 |
| 21 | BH-1224 | Ring — Snap, Intermediate Gear | 1 |
| 22 | | Gear — Intermediate | 1 |
| | BH-1225 | 74 Teeth | |
| | BH-1226 | 65 Teeth | |
| 23 | BH-1236 | Key — Woodruff | 1 |
| 24 | BH-1304 | Shaft & Integral Pinion — Intermediate | 1 |
| 25 | BH-1237 | Bearing Assembly — Needle, 11/16" I.D. (36 roller, greased retained) | 1 |
| 26 | BH-1305 | Ring — Snap, Sprocket Gear | 1 |
| 27 | BH-1306 | Gear — Sprocket | 1 |
| 28** | BH-1307 | Spacer — Sprocket Gear | 1 |
| 29 | BH-1228 | Screw — Fillister Head Machine | 4 |
| 30 | BH-1229 | Lockwasher — Spring Type | 4 |
| 31 | BH-1230 | Plate — Retainer, Sprocket Bearing | 1 |
| 32** | BH-1231 | Gasket — Ring, Sprocket Bearing | 1 |
| 33 | BH-1232 | Bearing Assembly — Ball, Sprocket | 1 |
| 34 | BH-1308 | Key — Woodruff, Sprocket | 1 |
| 35** | BH-1309 | Sprocket — Coil Chain | 1 |
| 37 | BH-1235 | Bearing Assembly — Ball, Sprocket | 1 |
| 38 | BH-1315 | O-Ring | 1 |
| 39 | BH-1316 | Seal Disk | 1 |
| 40 | BH-1317 | Seal — Oil | 1 |

*This gear and clutch assembly should not be field disassembled. Replace assembly only as clutch pressure is preset at factory based on hoist capacity.

**On later model hoists; Ref. No. 28 is not used, Ref. No. 32 is replaced by Ref. Nos. 38, 39 and 40 and BH-1309 is replaced by BH-1312.

To enable us to expedite your parts order, always give Model and Catalog Numbers of Hoist. (See nameplate.)



11757D

Figure 8-3. UPPER SUSPENSION,
LOAD CHAIN AND LOWER BLOCK PARTS.
(3 Ton Capacity Hoists)

Figure 8-2. UPPER SUSPENSION, LOAD CHAIN AND LOWER BLOCK PARTS. (2 Ton Capacity Hoists) — Continued

| Ref. No. | Part Number | Description | Qty. Req'd. |
|----------|----------------|---|-------------|
| 1 | 905422 | Bracket Assembly Kit — Lug Suspension (Includes Items 6, 8 & 9). | 1 |
| 2 | BH-1102 | Hook Assembly — Upper (Includes Items 5, 6, 7 & 20) | 1 |
| 3 | BH-1030 | Pin — Drive | 3 |
| 4 | BH-1104 | Block Assembly — Upper (Includes Items 3, 10, 11, 14, 16, 19 & 21) | 1 |
| 5 | BH-1106 | Lock Assembly — Suspension Bushing | 1 |
| 6 | BH-1107 | Lockwasher | 3 |
| 7 | BH-1108 | Screw — Hex, Socket Head | 2 |
| 8 | BH-1109 | Screw — Hex, Socket Head | 1 |
| 9 | BH-1061 | Plate — Lock (Lug Suspension Models Only) | 1 |
| 10 | * | Stud — Upper Block | 1 |
| 11 | * | Anchor — Coil Load Chain | 1 |
| 14 | BH-1111 | Pin — Cotter | 1 |
| 16 | BH-1113 | Pin — Coil Chain Anchor | 1 |
| 17 | (See Fig. 8-5) | Block Assembly — Lower | 1 |
| 18 | BH-1114** | Chain Assembly — Coil Load | 1 |
| 19 | * | Nut — Upper Block Stud | 1 |
| 20 | BH-2213 | Latch Kit — Hook | 1 |
| 21 | BH-1029 | Washer — Thrust | 1 |
| 24 | BH-1195 | Limit Actuator Half | 2 |
| 25 | BH-1196 | Bolt — Hex Head | 2 |
| 26 | BH-1197 | Lockwasher — Spring Type | 2 |

*Not available as individual parts. Order upper block assembly, Ref. No. 4.

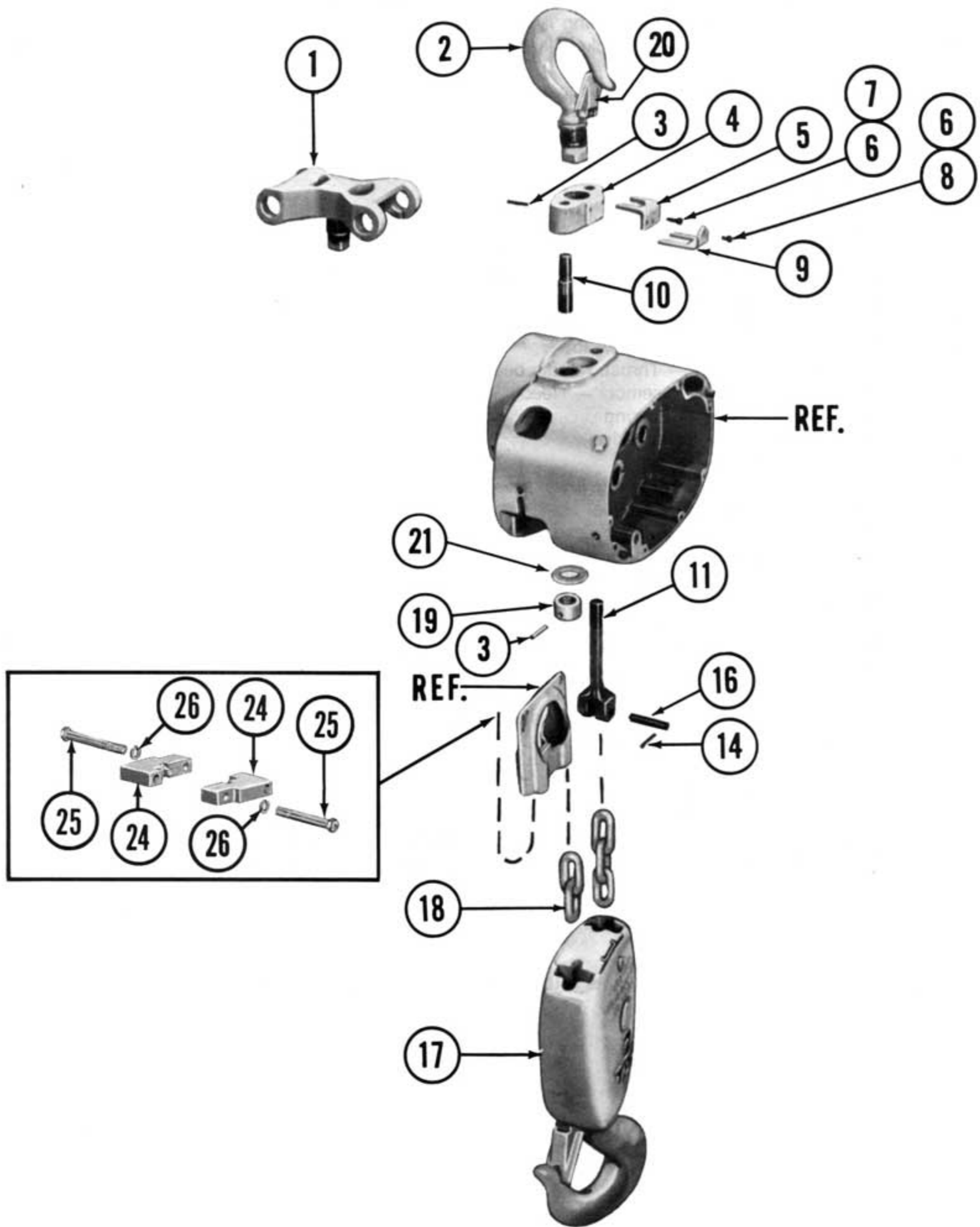
**Load Chain Assemblies listed are for hoists with standard 10 ft. lifts. Bulk chain is available in 1 ft. increments, part number BH-1069.

NOTICE

Always insist on factory approved CM Hoist replacement parts when servicing this equipment. Parts are available from your local recognized Repair Station.

NOTES

To enable us to expedite your parts order, always give Model and Catalog Numbers of Hoist. (See nameplate.)



10251D

Figure 8-2. UPPER SUSPENSION,
LOAD CHAIN AND LOWER BLOCK PARTS.
(2 Ton Capacity Hoists)

Figure 8-1. FRAME AND EXTERNAL PARTS. — Continued

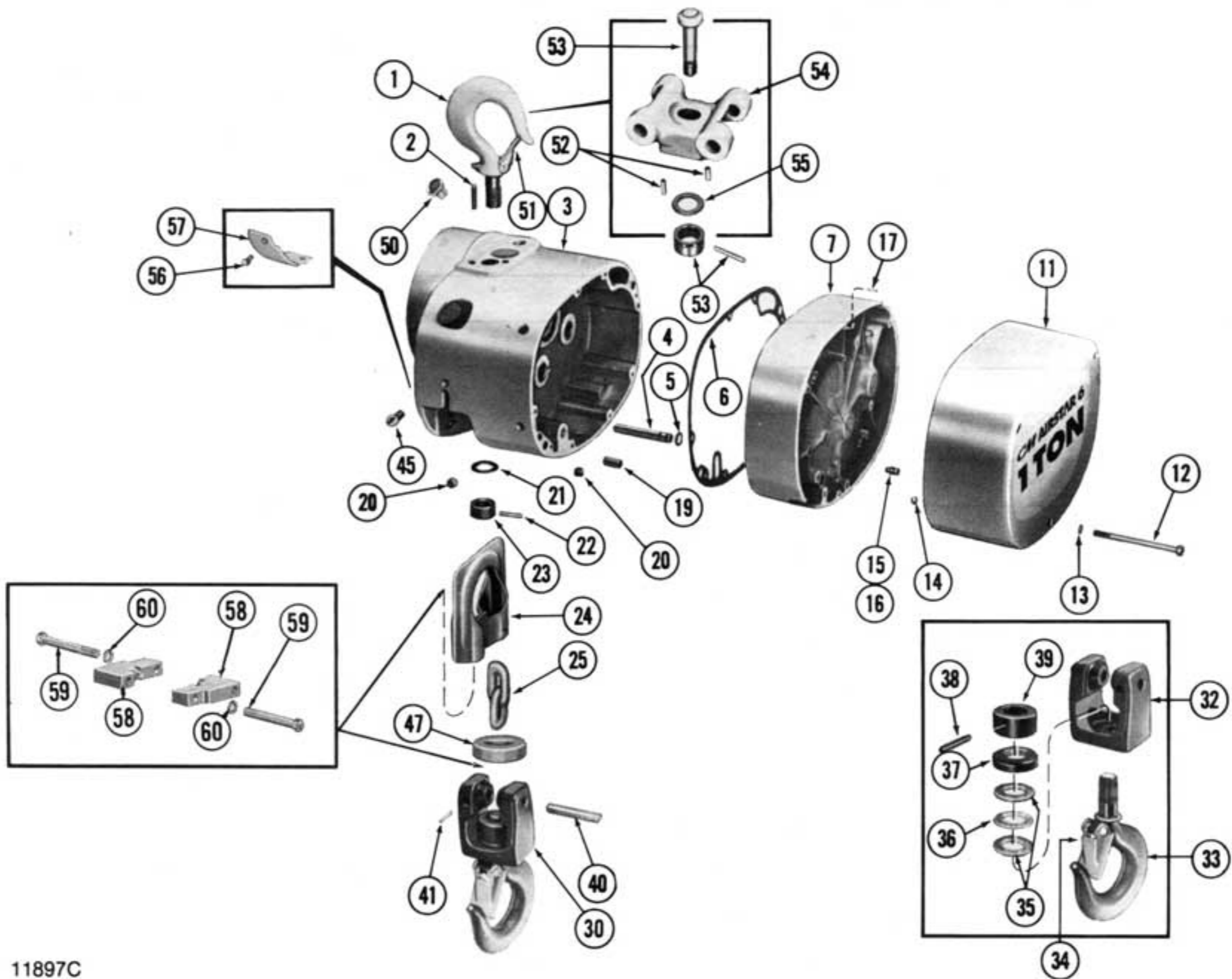
| Ref. No. | Part Number | Description | Qty. Req'd. |
|----------|-------------|---|-------------|
| 15 | BH-1023 | Lockwasher — Spring Type | 8 |
| 16 | BH-1024 | Screw — Hex Socket Head | 8 |
| 17 | BH-1025 | Pin — Grooved | 2 |
| 18 | BH-1026 | Grommet — Not Shown | 1 |
| 19 | BH-1027 | Pin — Dowel, gearcase cover | 2 |
| 20 | BH-1028 | Plug — Pipe, hex socket, 1/8" | 2 |
| 21 | BH-1029 | Washer — Thrust, upper hook | 1* |
| 22 | BH-1030 | Pin — Drive | 1* |
| 23 | ** | Nut — Upper Hook | 1* |
| 24 | BH-1032 | Guide Assembly — Coil Load Chain | 1 |
| 25 | BH-1034*** | Chain Assembly — Coil, load | 1* |
| 30 | BH-1036 | Block Assembly — Lower (Includes items 32 through 39) | 1* |
| 32 | BH-1175 | Body — Lower Block | 1* |
| 33 | BH-1177 | Hook, Nut and Latch Assembly — Lower Block | 1* |
| 34 | BH-1183 | Latch Kit — Hook, lower | 1* |
| 35 | BH-1178 | Washer — Thrust, Needle bearing | 2* |
| 36 | BH-1179 | Bearing Assembly — Needle, thrust | 1* |
| 37 | BH-1180 | Shield — Bearing | 1* |
| 38 | BH-1181 | Pin — Spring drive | 1* |
| 39 | ** | Nut — Hook | 1* |
| 40 | BH-1038 | Pin — Connecting, lower block | 1* |
| 41 | BH-1045 | Pin — Spring drive | 1* |
| 45 | BH-1052 | Screw — Fillister Head, Self Locking | 1 |
| 47 | BH-1198 | Bumper — Lower Block | 1 |
| 50 | BH-1058 | Filler Assembly — Oil | 1 |
| 51 | BH-1183 | Latch Kit — Hook (upper) | 1* |
| 52 | BH-1089 | Pin — Spring drive | 2 |
| 53 | BH-1088 | Stud — Suspension, nut and pin (Includes item 55) | 1* |
| 54 | BH-1087 | Bracket — Suspension | 1* |
| 55 | BH-1092 | Washer | 1* |
| 56 | BH-1055 | Screw & Integral Lockwasher — Round Head | 2 |
| 57 | BH-1056 | Cover — Brake Opening | 1 |
| 58 | BH-1195 | Limit Actuator Half | 4 |
| 59 | BH-1196 | Bolt — Hex Head | 4 |
| 60 | BH-1197 | Lockwasher — Spring Type | 4 |

* Refer to Figure 8-2 for 2 Ton Model Upper Suspension, Load Chain and Lower Block Parts.
Refer to Figure 8-3 for 3 Ton Model Upper Suspension, Load Chain and Lower Block Parts.

** Hook and suspension bolt nuts are not serviced separately. They are available only with hook or bolt as assemblies.

*** Load Chain Assemblies listed are for hoists with standard 10 ft. lifts. Bulk chain is available in 1 ft. increments, part number BH-1069.

To enable us to expedite your parts order, always give Model and Catalog Numbers of Hoist. (See nameplate.)



11897C

Figure 8-1. FRAME AND EXTERNAL PARTS.
Standard Hoists

(Except 2 & 3 Ton Model Upper Suspension, Load Chain & Lower Block)

| Ref. No. | Part Number | Description | Qty. Req'd. |
|----------|-------------|--|-------------|
| 1 | BH-1001 | Hook Assembly — Upper with latch (Includes Items 21, 22, 23 & 51) | 1* |
| 2 | BH-1002 | Pin — Stop, upper hook | 1 |
| 3 | BH-1004 | Frame Assembly (Includes 2 bushings, 2 needle bearings, 1 oil seal, 1 oil filler, 2 pipe plugs, and 2 dowel pins.) | 1 |
| 4 | BH-1005 | Pin — Support, chain guide | 2 |
| 5 | BH-1006 | Gasket — "O" Ring | 4 |
| 6 | BH-1007 | Gasket — Gearcase | 1 |
| 7 | BH-1009 | Cover Assembly — Gearcase (Includes 2 needle bearings and 2 grooved pins). | 1 |
| 11 | | Cover — Counterweighted | |
| | BH-1190 | (1 ton) | 1 |
| | BH-1191 | (2 ton) | 1 |
| | BH-1192 | (3 ton) | 1 |
| 12 | BH-1020 | Screw — Fillister Head Machine | 3 |
| 13 | BH-1021 | Lockwasher — Spring Type | 3 |
| 14 | BH-1022 | Ring — Retaining | 3 |

(Continued on following page.)